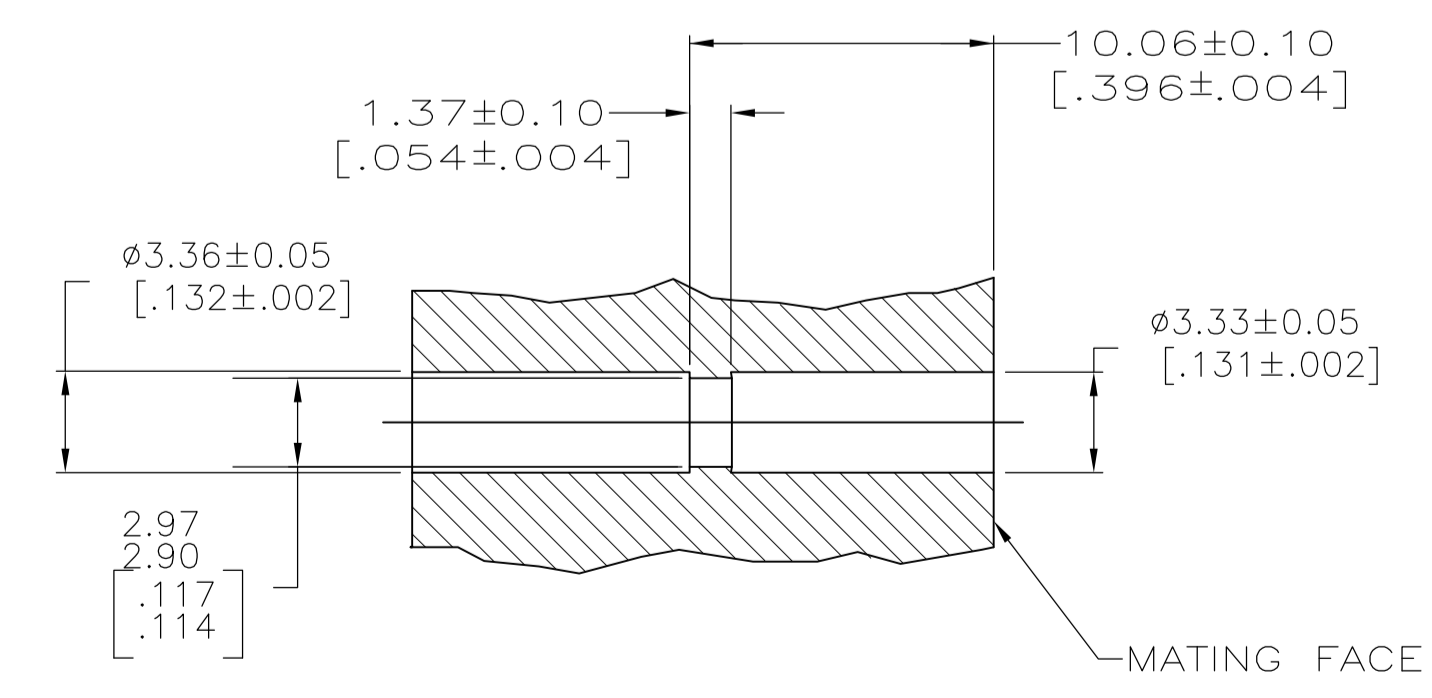
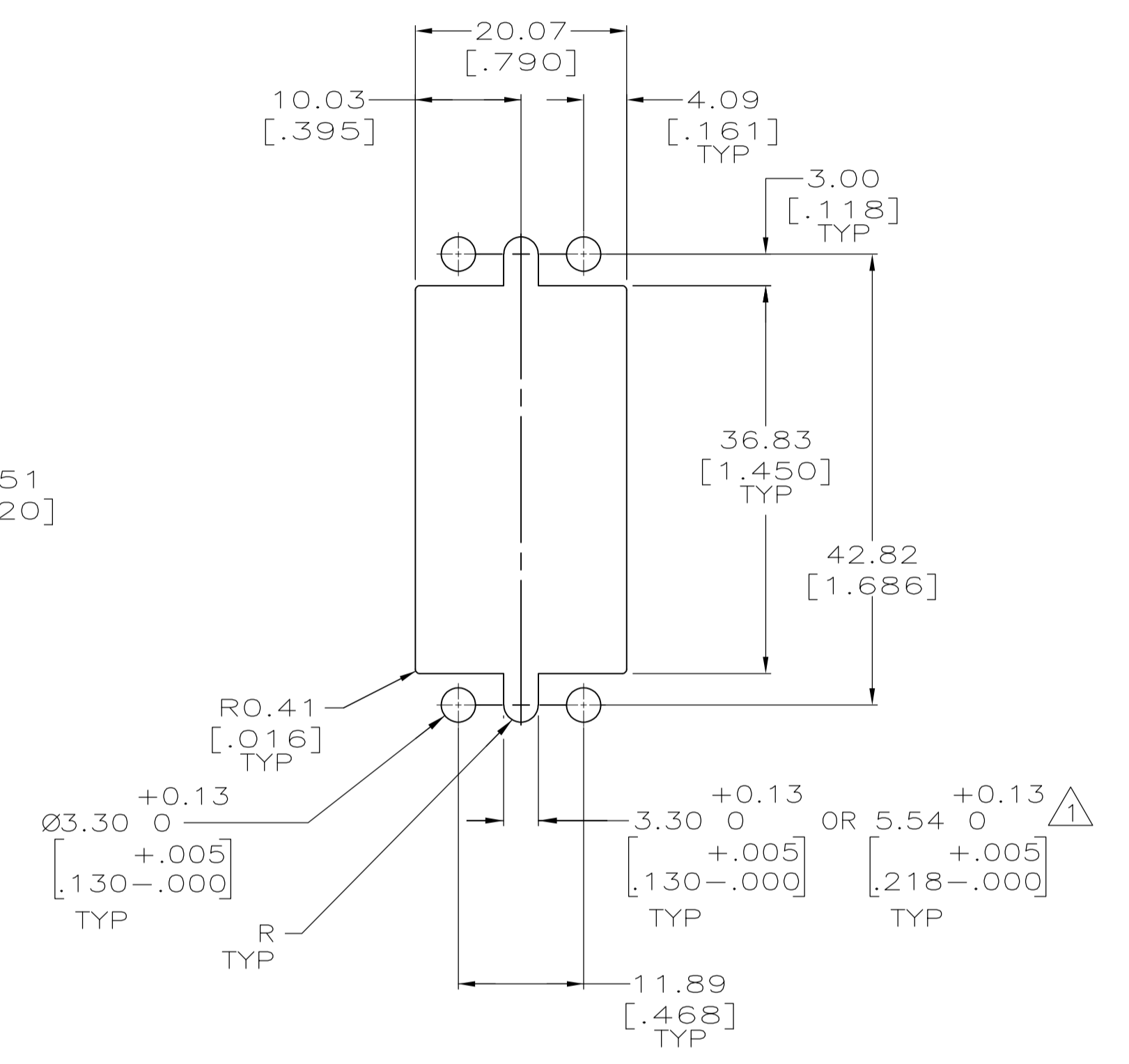
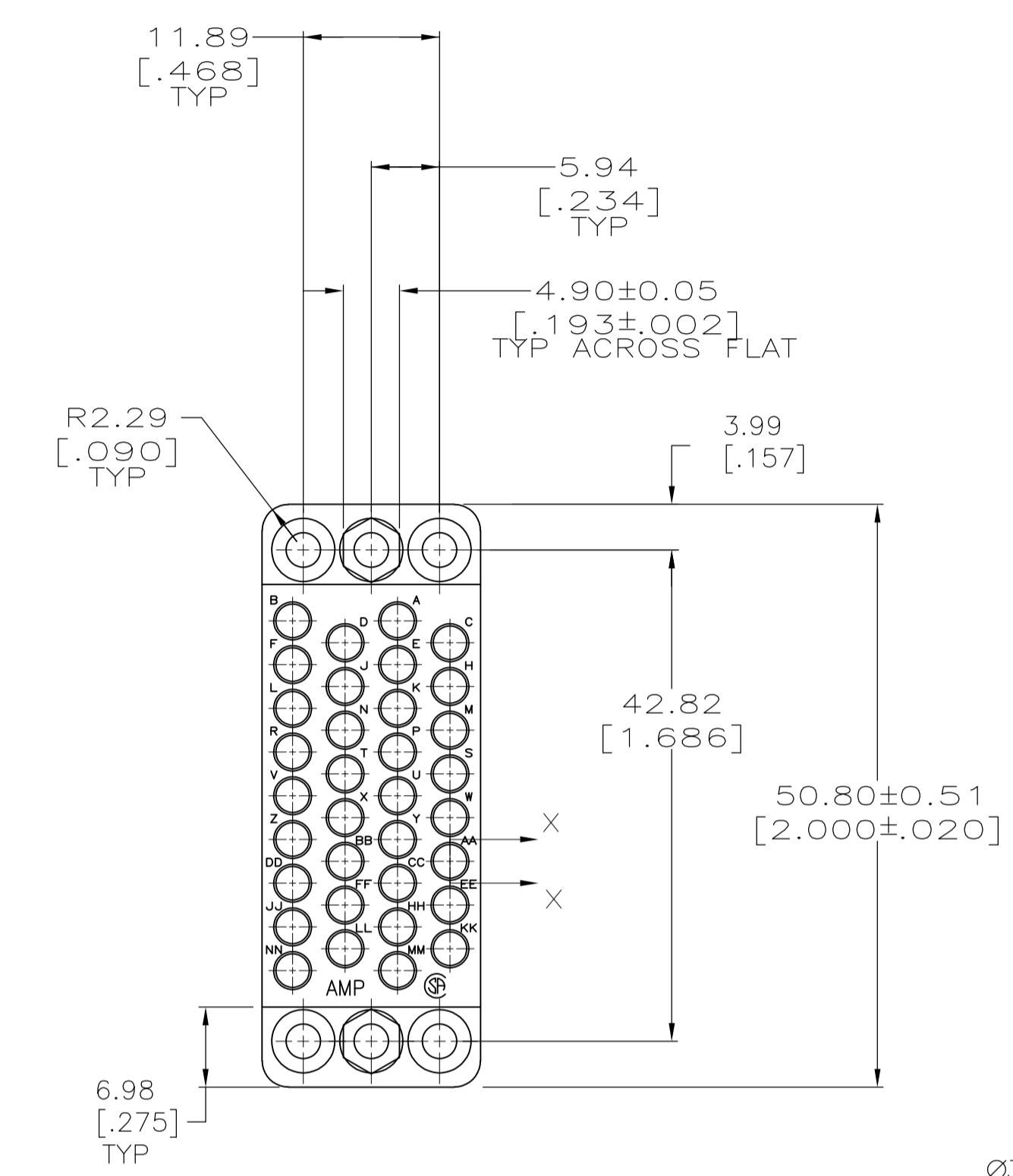
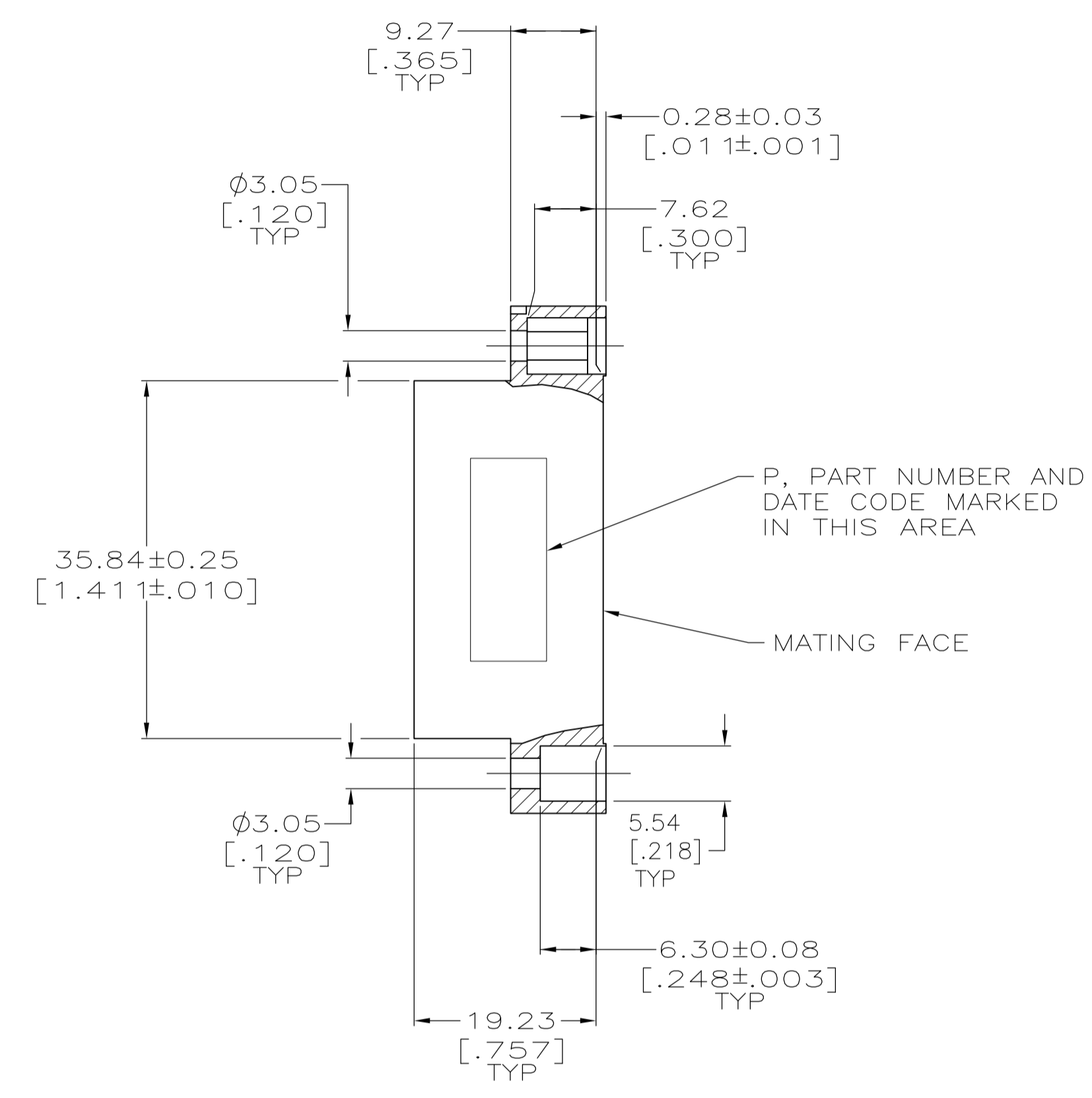
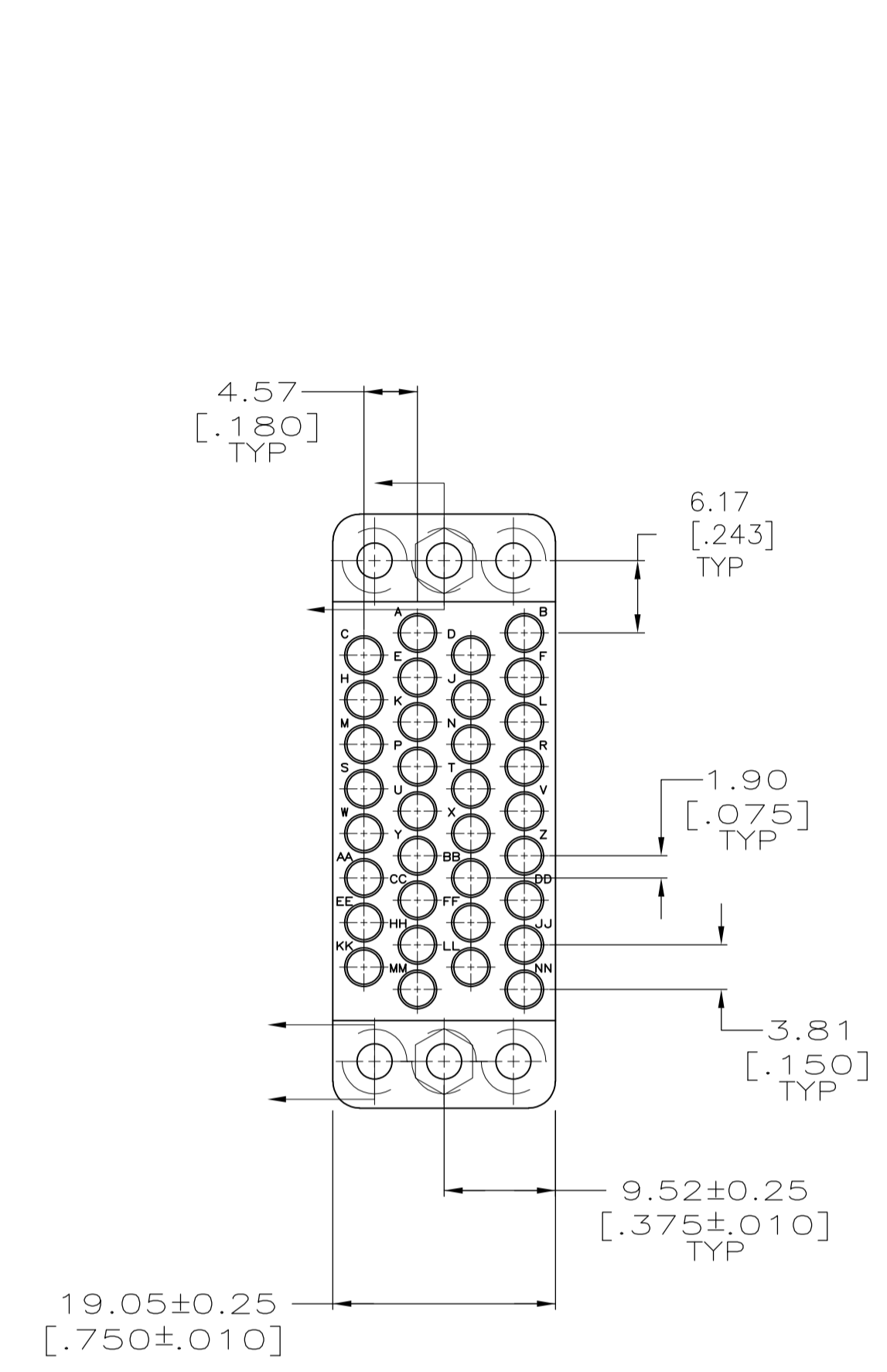


| LOC | | DIST | | REVISIONS | | | |
|-----|-----|---------------------------|----------|-----------|------|--|--|
| P | LTR | DESCRIPTION | DATE | DN | APVD | | |
| Z | | REVISED PER ECO-07-029096 | 12/11/07 | SS | GS | | |



⚠ 5.54 [.218] IS REQUIRED WHEN JACKSCREWS ARE USED.

2. MATES WITH BLOCK 200838 AND ACCOMMODATES TYPE II #20 CONTACTS.

200837-2
PART NUMBER

| | | | | |
|--|----------|-------------------------|---|--------------|
| THIS DRAWING IS A CONTROLLED DOCUMENT. | | DN C. OBERMAN 14 OCT 97 | Tyco Electronics Corporation Tyco Electronics Corporation Harrisburg, PA 17105-3608 | |
| DIMENSIONS: mm [INCHES] | | CHK R. STONE 15 OCT 97 | NAME G. STEINHÄUER 09 JAN 98 | |
| TOLERANCES UNLESS OTHERWISE SPECIFIED: | | PRODUCT SPEC | | |
| 0. PLC ± - | | APPLICATION SPEC | | |
| 1. PLC ± - | | SIZE A1 | | |
| 2. PLC ± 0.13 [.005] | | CAGE CODE 00779 | | |
| 3. PLC ± - | | DRAWING NO. 200837 | | |
| 4. PLC ± - | | RESTRICTED TO | | |
| ANGLES ± - | | CUSTOMER DRAWING | | |
| MATERIAL PHENOLIC, BLACK | FINISH - | WEIGHT - | SCALE 2:1 | SHEET 1 OF 1 |